

CEREC ENGINEERING



- **Consultancy**
- **Design**
- **Infrastructure projects**
- **Plant**
- **Asset management**

**RAILWAY
ENGINEERING**

**HYDROSYSTEMS
ENGINEERING
AND MANAGEMENT**



CEREC Engineering
Route de Fellina 23
Case postale 2
CH - 1873 Val D'Illicz



Office Phone : +41 24 477 12 68
Mobile Phone : +41 79 206 62 64
Fax : +41 24 565 12 66
E-mail : contact@cerecengineering.com

Company Summary

- Providing cross-border services since 1996, CEREC ENGINEERING gets back to your enquiries as soon as possible and delivers expertise in mechanical concept and design thanks to its flexible organization
- After a preliminary study based on financial and technical requirements and our expertise and efficiency, the best solutions for carrying out your projects are provided to you.
- From feasibility studies and planning, design and implementation to maintenance and asset management, our expertise covers track, design, engineering, maintenance, and renewal of technical systems railway and hydraulic systems and technologies.
- We work in partnership with our clients and supply chain to develop safe, efficient solutions that are always 'best for project'.



OUR CAPABILITIES

- Examination, assessment and feasibility ✓
- Financial ✓
- Technical specifications drafting ✓
- Mechanical engineering consultancy ✓
- Method of calculation by finished elements ✓
- Implementation ✓
- Manufacturing and processing businesses ✓
- Combined Nomenclature and material supplies ✓
- Switchgear Manufacturing ✓
- Technical Reports ✓

OUR SERVICES

- ✓ Mechanical Production
- ✓ Electronic, electromechanical and electrotechnical supplies
- ✓ Feasibility study, analysis, programming, implementation of automation equipment
- ✓ Power plants, industrial facilities
- ✓ Plant
- ✓ Tests, consultancy and implementation
- ✓ Mini hydro development expertise

TECHNICAL ABILITIES

Inventor AIS and AIP, ANSYS , MicroStation, 3D Studio, Alias, Autocad



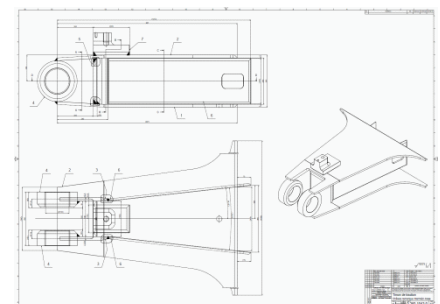
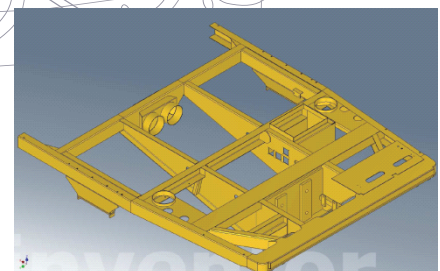
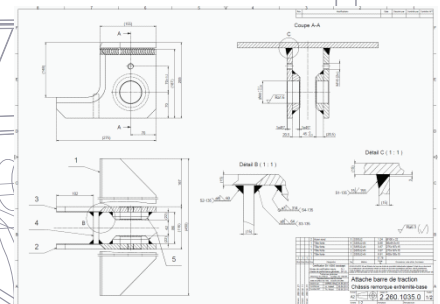
CEREC ENGINEERING

RAILWAY ENGINEERING

- ✓ Feasibility study (Finance, manufacturing, materials and components, patents)
- ✓ Mechanical Design
- ✓ 3D Modelling and simulation
- ✓ Report calculator tool & guide
- ✓ Design, engineering, maintenance, and renewal of technical systems
- ✓ hydraulic & pneumatic plans & diagrams
- ✓ Operation & maintenance (drafting of user guide)
- ✓ Retrofit switchgear EN 15085 (welding codes)
- ✓ Technical Reports



- Rail grinders, tampers ...
- Railway track maintenance machines
- Mechanical parts: Car Body Shell
- Rolling stock retrofit



Our Clients :

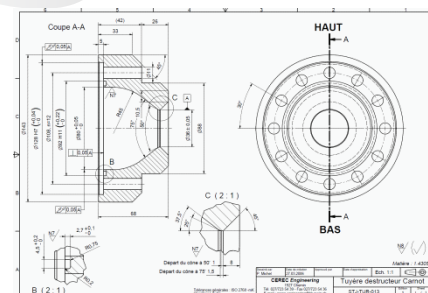
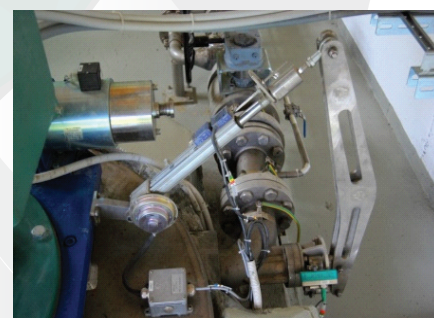
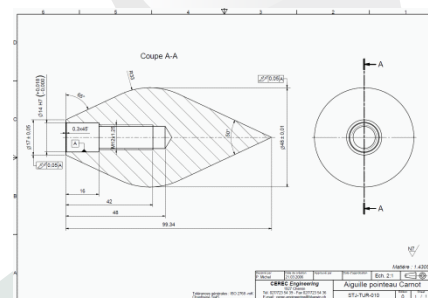
- Scheuchzer SA
- GoldenPass / MOB
- Transports Lausannois
- CFF (subcontractor)
- DB (subcontractor)
- SNCF (subcontractor)

HYDROSYSTEMS ENGINEERING AND MANAGEMENT

- ✓ Feasibility study (Finance, manufacturing, materials and components, patents)
- ✓ hydraulic & technical plans and diagrams
- ✓ 3D Modelling and simulation
- ✓ Report calculator tool & guide
- ✓ Implementation design
- ✓ Mechanical Design (Finance, manufacturing, materials and components, patents)
- ✓ Drafting of user guide
- ✓ Operation & maintenance process
- ✓ Technical Reports



- ⊕ Axial-flow turbines
- ⊕ Pelton Turbines
- ⊕ Francis Turbines
- ⊕ Kaplan Turbines



Our Clients :

- VA TECH HYDRO, (now ANDRITZ HYDRO)
- Hydro Exploitation SA
- Electricité d'Emosson
- Sierre-Energie
- EREMA Sàrl, France
- EPFL – Research and development for hydraulic turbines